

Instruction for use

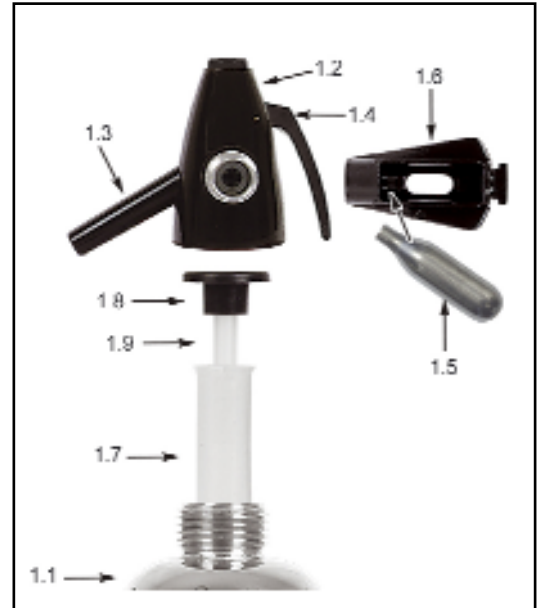
Thank you for choosing this versatile and high quality LISS Professional Soda Siphon. With this universal kitchen tool you can create a multitude of seltzer drinks; with syrups or juice, with alcoholic drinks as white wine or Whisky.

Before using the LISS Professional Soda Siphon, please read the following instructions carefully.

Device description

Device for home-making of soda-water

- 1.1 Stainless steel siphon body
- 1.2 Siphon head
- 1.3 Off-take pipe
- 1.4 Press-out lever
- 1.5 Soda cartridge
- 1.6 Cartridge holder with mounting cap
- 1.7 Level pipe
- 1.8 Pipe rubber
- 1.9 Siphon pipe



Directions for use

1. Safety instructions

Dear Customer,

You have purchased a device of excellent quality for enrichment of your drink water with carbon dioxide. In order to obtain optimum performance of the device, please, read the following Directions for Use attentively and, avoid non-designed usage. Adhere by all means to the safety instructions relating to the LISS cartridges and the soda siphon.

During usage the soda siphons and mainly the soda cartridges are under high pressure and for this reason they should be kept out of children's reach.

The soda siphon and the cartridges have to be protected from direct

Your device operates with a once-used soda cartridge. Filling of the cartridges can be made exclusively by the manufacturer, LISS Kft. For filling the soda siphon use only high quality drinking water or carbon dioxide-free mineral water, which meet the hygienic specifications. The drinking water enriched with carbon dioxide should preferably be stored cold and consumed within one day.

The soda siphon may be filled only with water, since usage of other beverages, syrups or fluids can be dangerous.

After usage the soda siphon should be disassembled - removing the head from the body - washed with a germ-killer and flavourless detergent licensed for foodstuffs, rinsed with fresh drinking water and kept at a dry place in opened state.

Repair works may be done only by the manufacturer or a technician authorized by the manufacturer.

2. Taking into usage

For the first usage the soda siphon and the cartridge holder should be unpacked and examined for eventual damages. Following this, the soda siphon should be thoroughly cleaned.

3. Cleaning of the soda siphon

When dismantling the soda siphon, it must be free of pressure. To this end, keep the press-out lever (element 1.4 in the drawing) depressed until the device is fully de-pressurized.

Unscrew the soda head (1.2) by turning it off anticlockwise from the thread (1.10) of the stainless steel siphon (1.1) and take it off. Pull off the siphon pipe (1.9), together with the pipe rubber (1.8). Position the end of the cartridge holder provided with mounting cap (1.6) into the opening of the level pipe (1.7). Arrest the cartridge holder in the level pipe by a clockwise motion and, pull off the level pipe (1.7). The siphon body, the level pipe and the siphon pipe with the pipe rubber resp. the siphon head should be cleaned with use of detergents licensed for foodstuff. Then, these parts should be rinsed by clear drinking water. Scaling developed in the siphon body or in the soda head can be removed by vinegarish detergent.

The soda siphon can be reassembled in reverse sequence for a newer usage. Prior to filling with drinking water the level pipe should by all means replaced into the siphon body and, pressed down to the stop.

Filling-in of the drinking water is permitted only through the level pipe, up to the upper edge thereof. Replace the siphon pipe together with the pipe rubber into the level pipe, to the stop. Put the soda head (1.2) on the thread of the siphon and screw it tight by clockwise rotation.

Attention! Do never attempt assembling of the parts forcefully try to fit them by light motions.

4. Soda-water making

Connect the soda cartridge positioned into the cartridge holder to the soda siphon filed with drinking water and closed as described above.

The cartridge holder can be screwed onto the threaded stud of the siphon head by clockwise rotation. After making several turns, a slight resistance can be observed. When driving the cartridge holder through this resistance, the car-

bon dioxide gets into the stainless steel siphon with a hissing sound. After completion of the discharging process (approx. 5 seconds), unscrew the cartridge by anticlockwise turning.

The soda siphon filled in this manner should be intensively shaken and placed into a refrigerator for at least 1 hour. Subsequent to this the freshly made soda water can be filled into glasses through the off-take pipe (1.3), by pressing the press-out lever (1.4).

Important! For 1 litre water 1 soda cartridge, in case of a 2 litre device 2 cartridges can be used. After screwing on of the first cartridge shake the device thoroughly, then, after the lapse of 3-5 minutes following the removal of the cartridge, connect the second cartridge.

5. Instructions for use

When fully discharged, the soda siphon should be washed according to those described under the cleaning clause and stored clean and under dry conditions till the next usage.

Attention! Preferably do not store the soda water longer than 2 days. Make always fresh soda water. For hygienic and safety-technique reasons, use only drinking water or carbon dioxide-free mineral water or bottled mineral water. Enrichment of other beverages syrups, etc. may cause dangers. Ignoring the instructions for use will render the guarantee rights null and void.

The soda water can be consumed as refreshment drink not only in itself, but also flavoured with syrups, added to wine as spritzer or other alcoholic beverages e.g whisky as well.

6. Guarantee

Merchants of the LISS Patrongyártó, Töltő és Forgalmazó Kft. according to legal specifications fulfill the following guarantee obligations:

- a, Repair of the LISS soda siphons will be made free of charge within 1 year reckoned from the date of selling. Within the one-year guarantee period our guarantee obligation can be validated either at the merchant or directly at us, on basis of the original invoice. The incurring transportation expenses will be born by the party providing the guarantee.
- b, During the named guarantee period all deficiencies of the LISS soda siphons will be repaired which can be traced back, in a verifiable manner, to faulty implementation or material defect. The replaced parts will turn into our property. Excluded from the guarantee are the normal wear (rubber seals, piercing pin), damages caused intentionally or by carelessness, imperfect cleaning, furthermore, damages caused by non-adherence to the instructions for use. When traces of foreign forceful intervention can be defined, then all claims for guarantee will become null and void.

Fulfillment of this guarantee is valid on the entire European Union area.

For devices used out of the EU the guarantee conditions customary in the actual country apply.

Adequate operation of the device can be ensured only by the original LISS parts.

Read the instructions for use carefully!

Further information can be found on the www.liss-group.com address.

7. Quality certificate

Typical technical data:

Denomination of device:

Soda siphon

Type:

LISS

Volume of siphon body:

2 litres 1 litre

Material, finish:

Stainless steel, polished

Material, finish of the siphon head:

Black polyamide, bright

Accessories:

Cartridge holder, mounting wrench

Quality class of the device:

Class I.

Number of cartridges needed:

2 1

Working pressure:

9 bar

Distributor's declaration: The device, the parts and accessories thereof meet the specifications.

Read instructions carefully!

Further information: www.liss-group.com

Distributed in the U.S.A.:

LISS America

106 Skyline Drive, South Plainfield,

NJ 07080 USA

Phone.: 1-908-222-1015, 1-908-222-1016

Fax: 1-908-222-1017

E-mail: liss@lissamerica.com